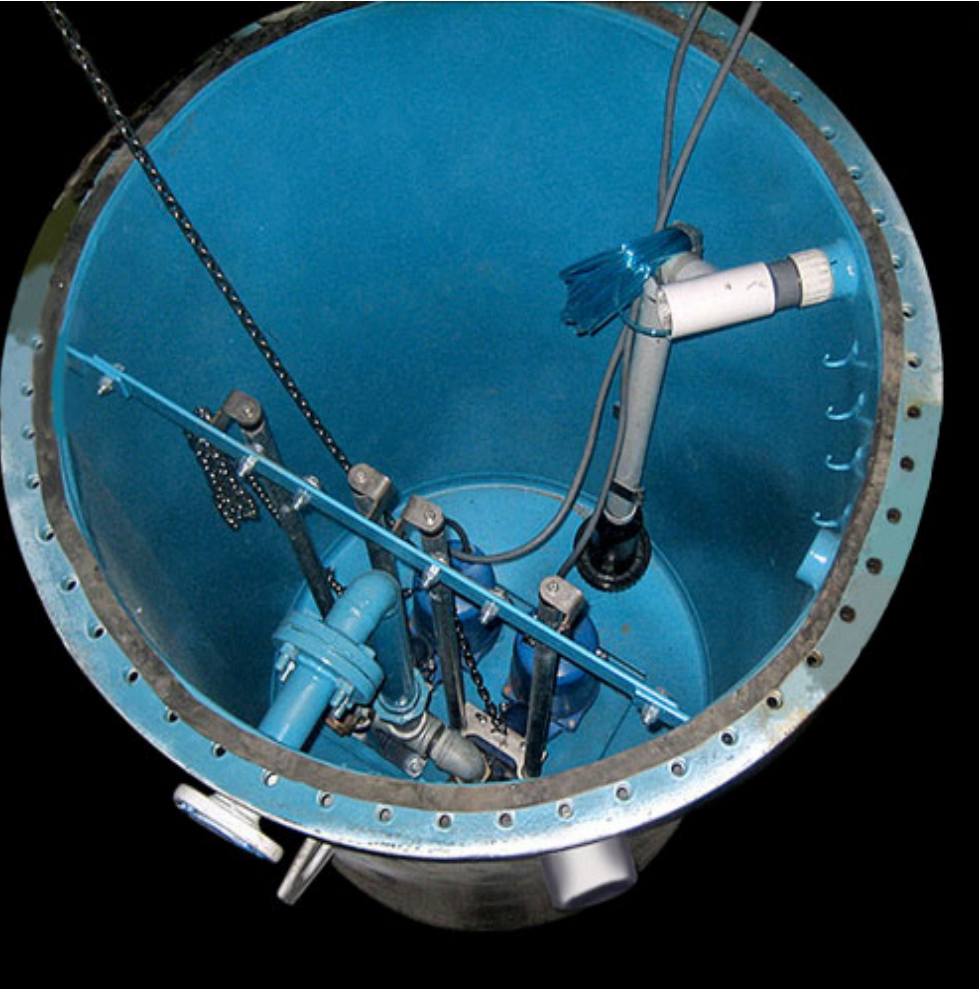


Built on Tradition



Highland Tank®



Pump and Lift Stations

HT-1160

A wastewater lift station is a pumping station that moves wastewater from a lower elevation to a higher elevation. The benefit of using a lift station in a sewage collection system is that it saves a substantial amount of money in excavation costs, which involves digging for sewer pipes.

Lift Station Components

A functional wastewater lift station pump consists of multiple working parts and components. Everything from a power supply to remote monitoring and control must be in working order so that wastewater can be effectively collected and treated. Every aspect of the lift station pump needs to be contained and installed in an enclosed structure. Systems can be pre-designed or customized to accommodate the specific needs of the responsible municipality.

Lift Station components include:

- Receiving well (wet well)
- Screen or grinding to remove coarse materials
- Pumps and compressors
- Associated valves
- Electric motors
- Power supply system
- Equipment control and lift station alarm system
- Odor control and ventilation system

Lift Station Examples

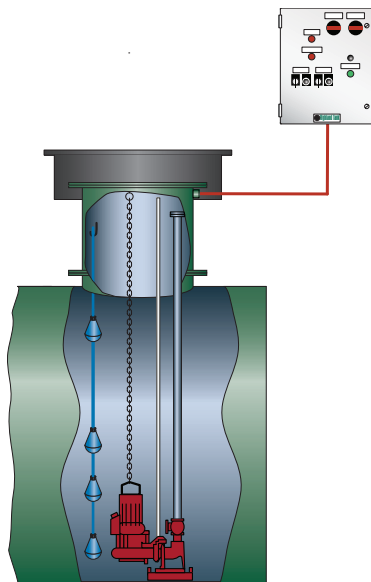
Types of Lift Stations

Dry Well

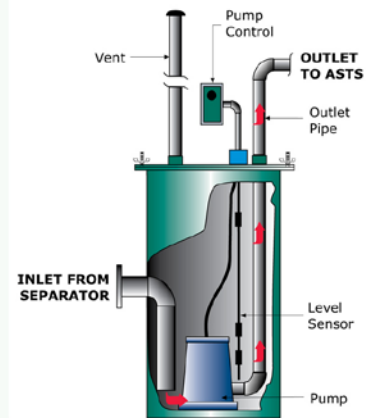
In dry-well lift stations, the system is housed in a separate location (usually underground or in a separate chamber). Due to this physical separation, maintenance on a dry well is more hazardous and poses increased safety risks.

Submersible Pump (Wet Well)

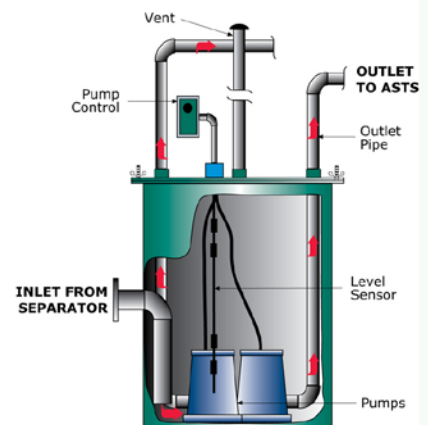
Submersible pumps, as the name suggests, are submerged in the wastewater they pump. It is mounted inside the wet well and uses a motor to pump the wastewater. This method is more modern due to the reduced health and safety concerns they offer.



Single-Pump Lift Station



Multi-Pump Lift Station



Stoystown, PA
One Highland Rd.
Stoystown, PA 15563
(814) 893-5701

Manheim, PA
4535 Elizabethtown Rd.
Manheim, PA 17545
(717) 664-0600

Watervliet, NY
958 19th St.
Watervliet, NY 12189
(518) 273-0801

Greensboro, NC
2700 Patterson St.
Greensboro, NC 27407
(336) 218-0801

Friedens, PA
1510 Stoystown Rd.
Friedens, PA 15541
(814) 443-6800

Clarkston, MI
4701 White Lake Rd.
Clarkston, MI 48346
(248) 625-8700

Mancelona, MI
9517 Lake St.
Mancelona, MI 49659
(231) 587-8412

